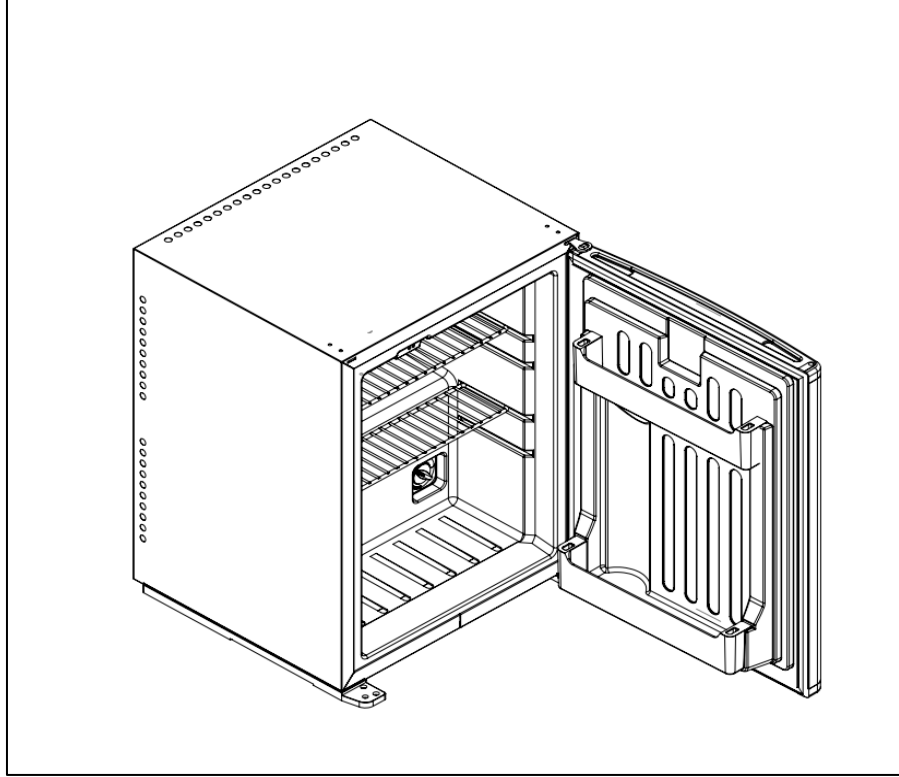


TECHNICAL SPECIFICATIONS



MODEL: 81914451

TECHNICAL DATA SHEET

CHARACTERISTICS

- Compartment Type : Cellar/ Killer
- Energy Efficient Class : D
- Climate Class : N
- Energy Consump : 61 (KWh per year)
- Energy Efficiency Index :85 %
- Power : 46 W
- Voltage / Freq. : 220-240 V / 50-60 Hz.
- Defrosting Type : Automatic
- Noise Emission : 32 (dB(A) re 1 pW)

ACCESSORIES

- Internalight : Opsiyonel
- Lockable Door : Opsiyonel
- Door Hinge Side : Right
- Reversible Door : Yes
- Mechanical Thermostat : Standart

TECHNICAL SPECIFICATIONS

- External Dims. : 566x435x460 mm (HxWxD)
- Total Volume : 40 lt
- Gross Volume : 45 lt
- Outer Body : 0.4 mm.PVC Kaplı Sac / 0,4 PVC Cooted Sheet
- Inner Liner : Hips
- Yalıtım Maddesi / Insulation Material : Sert P.U. / Rigid P.U.
- Blowing Agent : C.Pentane
- Insulation Density : 38~40 kg/m³
- Soğutucu Akışkan :R600A
- Soğutucu Akışkan Miktarı: :17 gr